

LED MR16



MR16-GU10 Lamp

Product Description

Lumen-Starr MR16 lamps are designed to be super bright with a high lumen output. These lamps are environmentally safe. LED diodes are recessed into an patented aluminum heat sink creating cooler operation, longer lamp life and higher lumen output.

Performance Summary

- *LED Diodes are high output
- *Average rated life (hr): >50,000
- *Base: GU-10
- *CRI: =85
- *CCT: 2850K
- *LM-79 & LM-80
 - 2.0W LED = 35W MR16, Initial Lumens 128
 - 4.0W LED = 50W MR16, Initial Lumens 255
- *Dimmable

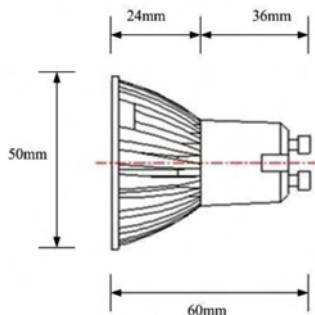
Power Supply

*Output Current: 320mA

MOUNTING:

LED MR16 Lamp housings are Aluminum construction
Accommodate all existing MR16 lamp applications
with GU-10 base.

MOL: 2.37"

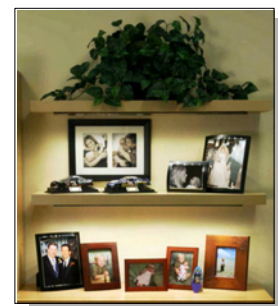
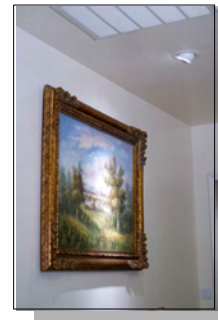


Ordering Information

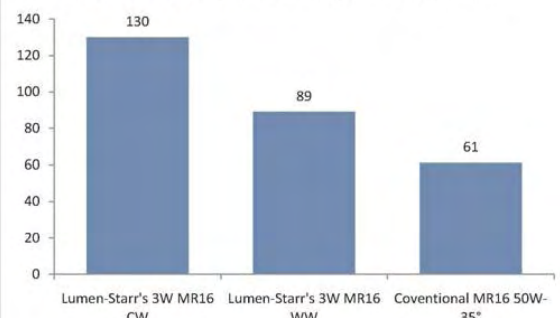
- LEDMR161GU2-D-W** - MR16 lamp, GU10 base, 2W, 128lm, 2850K
- LEDMR161GU4-D-W** - MR16 lamp, GU10 base, 4W, 255lm, 2850K



Typical Applications



MR16 Foot Candle Comparison Chart*



*Actual measurements @ 4ft.